



**VULCAN**  
ATTACHMENTS

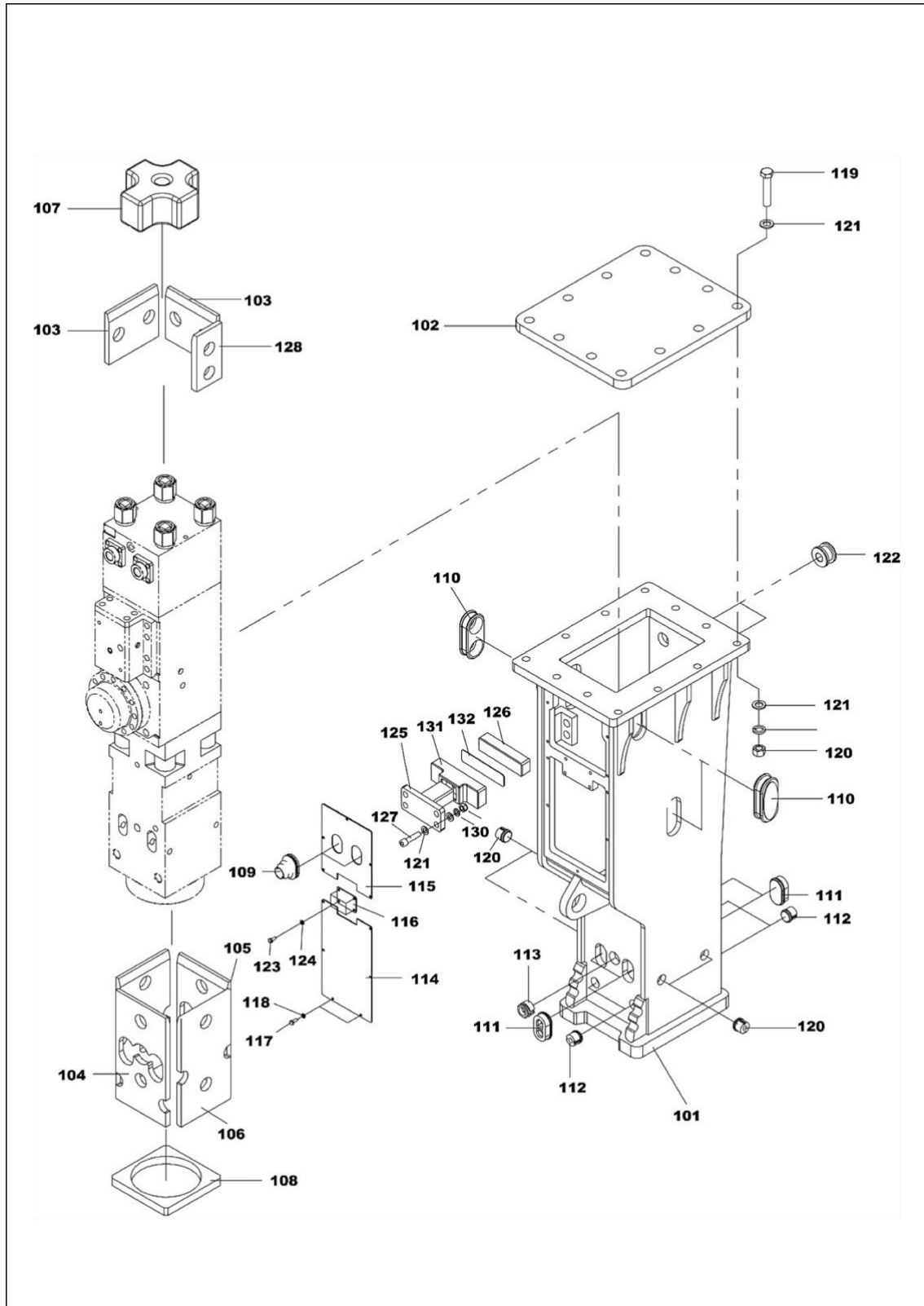
Hydraulic Breaker

Vulcan V18GS

**PARTS MANUAL**

# Parts List

## V18GS Housing

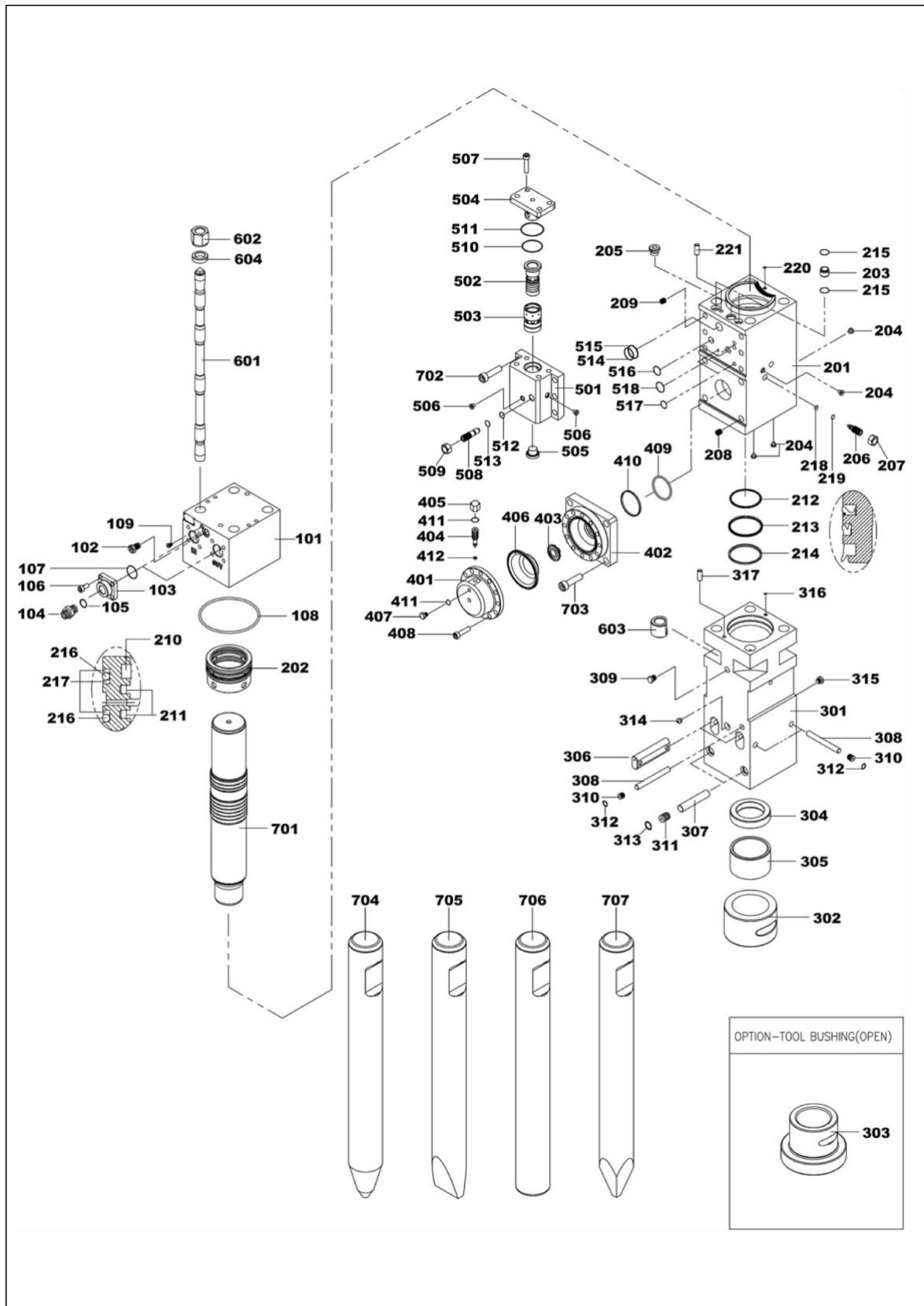


## V18GS Housing Parts List

| No. | Part No.  | Part Name           | Q'ty | Note |
|-----|-----------|---------------------|------|------|
|     | A1802600  | Housing Total Ass'y | 1    |      |
| 101 | A1802610  | Housing W.A         | 1    |      |
| 102 | A180V36P0 | Top Plate           | 1    |      |
| 103 | A2002020  | Wearing Plate       | 2    |      |
| 104 | A1800220  | Wearing Plate       | 1    |      |
| 105 | A1800230  | Wearing Plate       | 1    |      |
| 106 | A1800240  | Wearing Plate       | 2    |      |
| 107 | A2000180  | Buffer (Top)        | 1    |      |
| 108 | A1800250  | Buffer (Base)       | 1    |      |
| 109 | A2000210  | Rubber (In, Out)    | 2    |      |
| 110 | A2000220  | Rubber (Plug)       | 3    |      |
| 111 | B1800110  | Rubber (Plug)       | 4    |      |
| 112 | B1800130  | Rubber (Plug)       | 4    |      |
| 113 | B3200040  | Rubber (Grease)     | 1    |      |
| 114 | A1803630  | Plate Cover 2       | 1    |      |
| 115 | A1803640  | Plate Cover 1       | 1    |      |
| 116 | A3003690  | Plate Cover 3       | 1    |      |
| 117 | HB1015020 | Bolt                | 10   |      |
| 118 | SW100000  | Spring Washer       | 10   |      |
| 119 | HB2430120 | Bolt                | 12   |      |
| 120 | NN243000  | Nut                 | 16   |      |
| 121 | PW240000  | Plain Washer        | 32   |      |
| 122 | B400W270  | Rubber Plug         | 2    |      |
| 123 | HB1217030 | Bolt                | 4    |      |
| 124 | SW120000  | Spring Washer       | 4    |      |
| 125 | A1802750  | Block W.A           | 1    |      |
| 126 | A1802790  | Side Buffer         | 1    |      |
| 127 | SB2430100 | Socket Bolt         | 4    |      |
| 128 | A5002330  | Wearing Plate       | 1    |      |
| 129 | B6000130  | Rubber Plug         | 4    |      |

| No. | Part No. | Part Name     | Q'ty | Note |
|-----|----------|---------------|------|------|
| 130 | SW240000 | Spring Washer | 16   |      |
| 131 | A1802770 | Buffer Block  | 1    |      |
| 132 | A1802780 | Shim Plate    | 1    |      |

# V18GS Hammer Assembly



## V18GS Hammer Assembly Parts List

| No. | Part No.  | Part Name              | Qty | Note |
|-----|-----------|------------------------|-----|------|
|     | A180650B  | Hammer Total Ass'y     | 1   |      |
|     | A1806510  | Back Head Sub Ass'y    | 1   |      |
| 101 | A1806830  | Back Head              | 1   |      |
| 102 | A3006590  | Gas Charging V/V Ass'y | 1   |      |
| 103 | A2006480  | Flange                 | 2   |      |
| 104 | A2706320  | Adapter                | 2   |      |
| 105 | A2007140  | O-Ring                 | 2   |      |
| 106 | SB1415035 | Socket Bolt            | 8   |      |
| 107 | B6007330  | O-Ring                 | 2   |      |
| 108 | A1807010  | O-Ring                 | 1   |      |
| 109 | B4006910  | Socket Plug            | 1   |      |
|     |           |                        |     |      |
|     | A180652B  | Cylinder Sub Ass'y     | 1   |      |
| 201 | A1806710  | Cylinder               | 1   |      |
| 202 | A1806040  | Seal Housing           | 1   |      |
| 203 | A1806250  | Connection Bush        | 2   |      |
| 204 | B4006450  | Socket Plug            | 4   |      |
| 205 | B2506520  | Socket Plug            | 1   |      |
| 206 | A3006330  | Adjust Bolt 2          | 1   |      |
| 207 | A3006320  | Adjust Nut             | 2   |      |
| 208 | A3006380  | Heli-Coil              | 4   |      |
| 209 | A3006390  | Heli-Coil              | 6   |      |
| 210 | A1807020  | Gas Seal               | 1   |      |
| 211 | A1807030  | Step Seal              | 2   |      |
| 212 | A1807060  | Buffer Ring            | 1   |      |
| 213 | A1807070  | U-Packing              | 1   |      |
| 214 | A1807080  | Wiper                  | 1   |      |
| 215 | A1807090  | O-Ring                 | 4   |      |
| 216 | B4007270  | O-Ring                 | 2   |      |
| 217 | A1807050  | Backup Ring            | 3   |      |

| No. | Part No. | Part Name                   | Qty | Note   |
|-----|----------|-----------------------------|-----|--------|
| 218 | A3007170 | O-Ring                      | 2   |        |
| 219 | A3007180 | Backup Ring                 | 2   |        |
| 220 | B1807310 | O-Ring                      | 1   |        |
| 221 | B4006370 | Guide Pin                   | 1   |        |
| 222 | A1106420 | Adjust Bolt                 | 1   |        |
| 223 | A2006450 | Socket Plug                 | 2   |        |
| 224 | A2007150 | O-Ring                      | 1   |        |
|     |          |                             |     |        |
|     | A1806530 | Front Head Sub Ass'y        | 1   |        |
| 301 | A1806870 | Front Head                  | 1   |        |
| 302 | A1806430 | Tool Bushing (Box Type)     | 1   | Option |
| 303 | A1806420 | Tool Bushing (Open Type)    | 1   | Option |
| 304 | A1806100 | Thrust Ring                 | 1   |        |
| 305 | A1806410 | Upper Bushing               | 1   |        |
| 306 | A1806210 | Tool Pin                    | 2   |        |
| 307 | A1806220 | Bushing Pin (Lower)         | 2   |        |
| 308 | A1806230 | Bushing Pin (Upper)         | 3   |        |
| 309 | B4006530 | Socket Plug                 | 1   |        |
| 310 | B1306460 | Rubber Plug                 | 3   |        |
| 311 | B1806580 | Rubber Plug                 | 2   |        |
| 312 | B1006440 | Snap Ring                   | 3   |        |
| 313 | A1806570 | Snap Ring                   | 2   |        |
| 314 | B4006560 | Grease Nipple               | 1   |        |
| 315 | B4006450 | Socket Plug                 | 1   |        |
| 316 | A2507380 | O-Ring                      | 1   |        |
| 317 | B4006370 | Guide Pin                   | 1   |        |
|     |          |                             |     |        |
|     | A1806540 | Accumulator Cover Sub Ass'y | 1   |        |
| 401 | A1806060 | Accumulator Cover           | 1   |        |
| 402 | A1806930 | Accumulator Bottom          | 1   |        |
| 403 | A3006340 | Accumulator Inner Valve     | 1   |        |
| 404 | A1806350 | Gas Charging Bolt           | 1   |        |

| No. | Part No.  | Part Name             | Qty | Note |
|-----|-----------|-----------------------|-----|------|
| 405 | A3006360  | Gas Charing Cap       | 1   |      |
| 406 | B080704A  | Membrane              | 1   |      |
| 407 | A2006510  | Plug                  | 1   |      |
| 408 | SB1615040 | Socket Bolt           | 12  |      |
| 409 | A3007200  | O-Ring                | 1   |      |
| 410 | A3007130  | Backup Ring           | 1   |      |
| 411 | B1807310  | O-Ring                | 2   |      |
| 412 | A3007190  | O-Ring                | 1   |      |
|     |           |                       |     |      |
|     | A1806560  | Valve Block Sub Ass'y | 1   |      |
| 501 | A1806150  | Valve Block           | 1   |      |
| 502 | A1806170  | Valve Guide           | 1   |      |
| 503 | A1806180  | Valve Spool           | 1   |      |
| 504 | A1806450  | Valve Block Cover     | 1   |      |
| 505 | B4006520  | Socket Plug           | 1   |      |
| 506 | B4006450  | Socket Plug           | 2   |      |
| 507 | SB1615040 | Socket Bolt           | 4   |      |
| 508 | A2006310  | Adjust Bolt 1         | 1   |      |
| 509 | A3006320  | Adjust Nut            | 1   |      |
| 510 | B4007190  | O-Ring                | 1   |      |
| 511 | B6007350  | Backup Ring           | 1   |      |
| 512 | B1807310  | O-Ring                | 1   |      |
| 513 | A3007160  | Backup Ring           | 1   |      |
| 514 | B2507190  | O-Ring                | 1   |      |
| 515 | A2007090  | Backup Ring           | 1   |      |
| 516 | B2507290  | O-Ring                | 2   |      |
| 517 | B4007260  | O-Ring                | 2   |      |
| 518 | B1507200  | O-Ring                | 1   |      |
|     |           |                       |     |      |



| No. | Part No.  | Part Name            | Qty | Note   |
|-----|-----------|----------------------|-----|--------|
|     | A1806580  | Side Rod Sub Ass'y   | 1   |        |
| 601 | A1806110  | Side Rod             | 4   |        |
| 602 | A1806130  | Side Rod Nut (Upper) | 4   |        |
| 603 | A1806120  | Side Rod Nut (Lower) | 4   |        |
| 604 | A1806140  | Side Rod Washer      | 4   |        |
|     |           |                      |     |        |
| 701 | A1807360  | Piston               | 1   |        |
| 702 | SB2025060 | Socket Bolt          | 6   |        |
| 703 | SB2430060 | Socket Bolt          | 4   |        |
| 704 | A1806280  | Tool – Cone          | 1   | Option |
| 705 | A1806290  | Tool – Chisel        | 1   | Option |
| 706 | A1806300  | Tool – Blunt         | 1   | Option |
| 707 | A1806800  | Tool – Moil          | 1   | Option |



**VULCAN**  
ATTACHMENTS

769 PTH 75 Howden, MB R5A 1J3

Toll Free : 877-494-4303

Phone : 204-269-2680

[info@vulcanattachments.com](mailto:info@vulcanattachments.com)

[www.VulcanAttachments.com](http://www.VulcanAttachments.com)

Version: 1116