



VULCAN
ATTACHMENTS

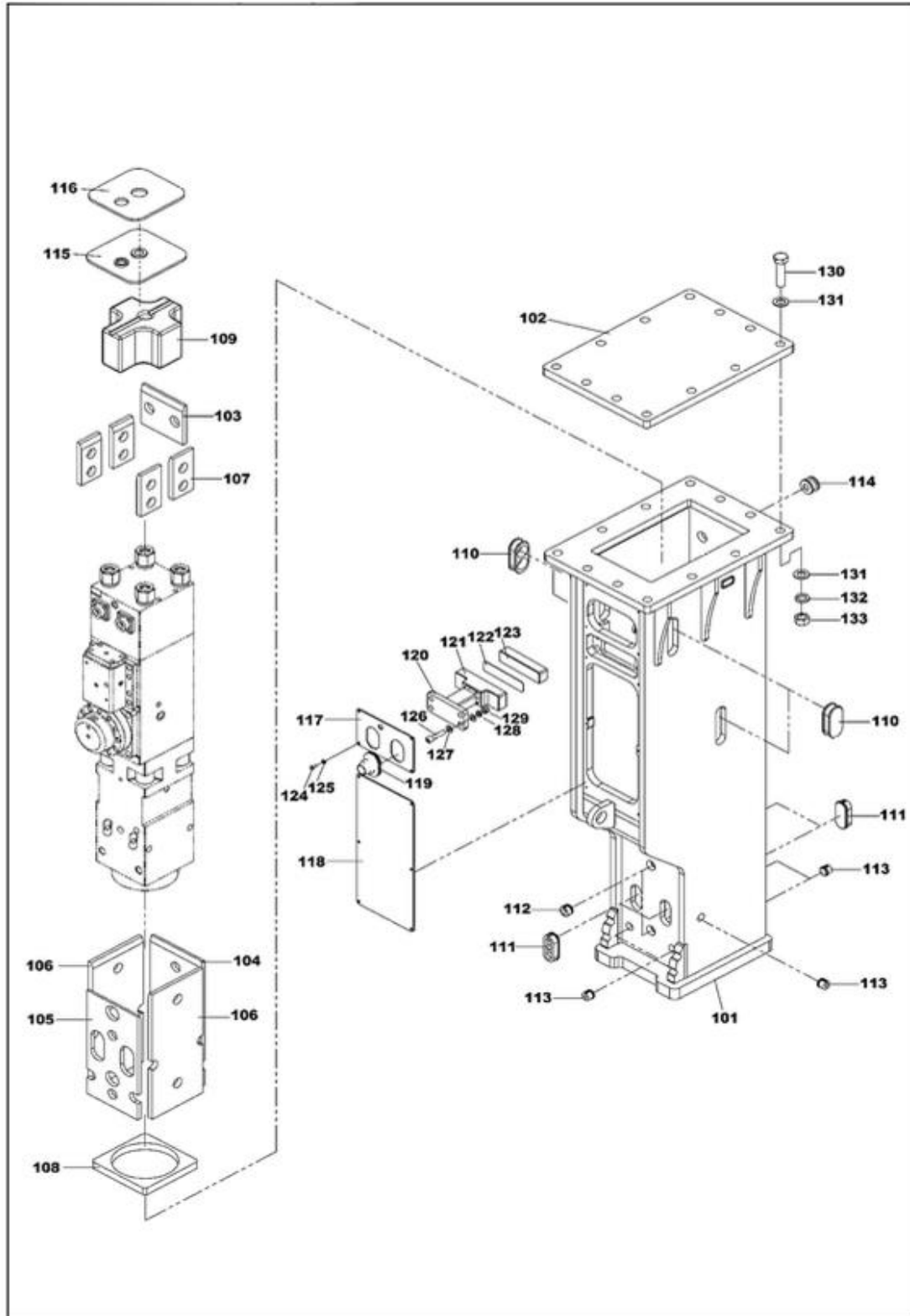
Hydraulic Breaker

Vulcan V50GS

PARTS MANUAL

Parts List

V50GS Housing

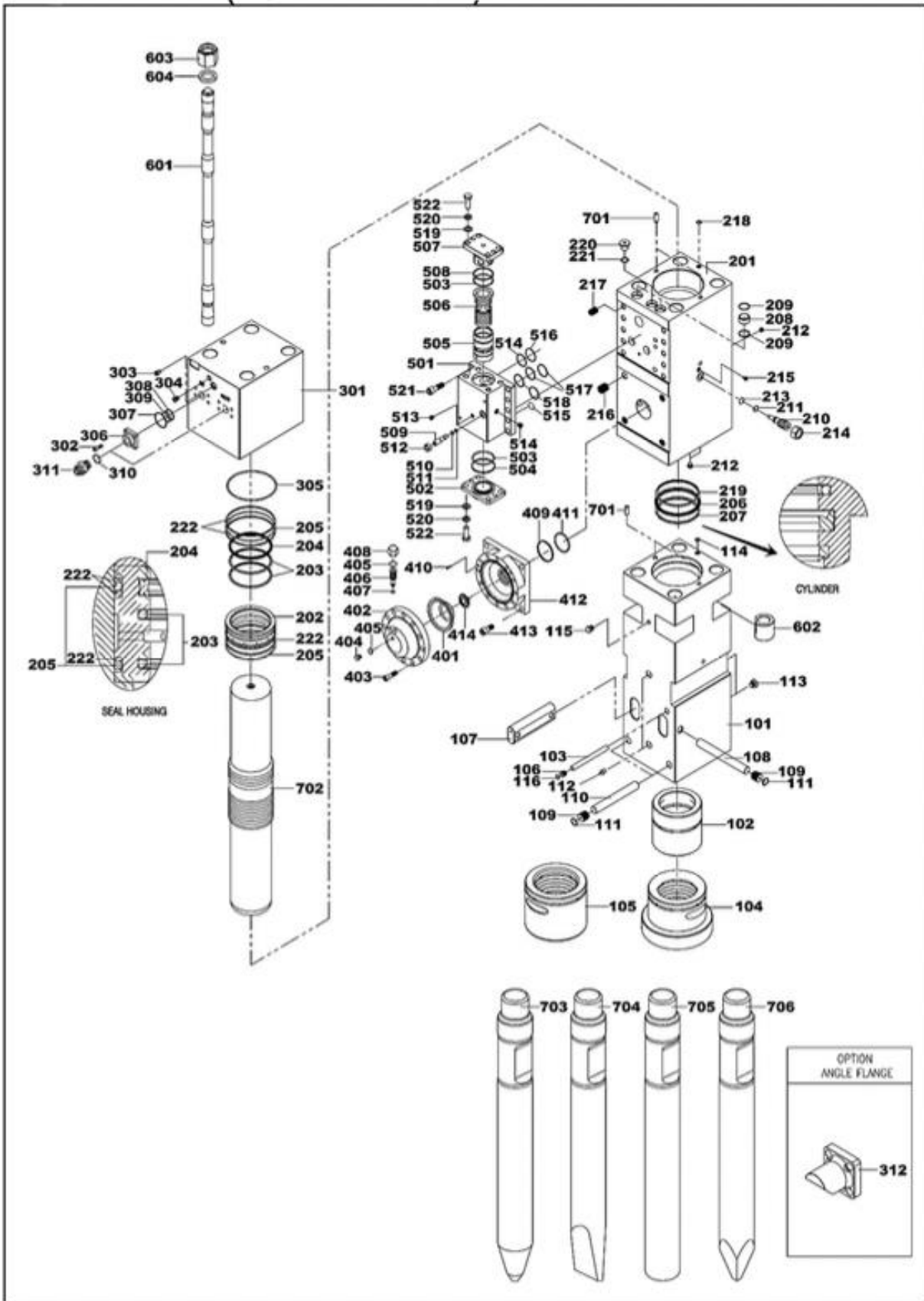


V50GS Housing Parts List

No.	Part No.	Part Name	Q'ty	Note
	A5003600	Housing Total ASS'Y	1	
101	A5003610	Housing W.A.	1	
102	A5002260	Top Cover Plate	1	
103	A2002020	Wearing Plate	1	
104	A5002270	Wearing Plate	1	
105	A5002280	Wearing Plate	1	
106	A5002290	Wearing Plate	2	
107	A5002330	Wearing Plate	4	
108	A5002300	Base Buffer	1	
109	A2202550	Top Buffer	1	
110	A2202550	Rubber Plug	4	
111	B2500110	Rubber Plug	4	
112	B3200040	Rubber Grease	2	
113	B4000130	Rubber Plug	6	
114	B400W270	Rubber Plug	2	
115	A5004740	Top Plate Ass'y	1	
116	A5004760	Top Wearing Plate	1	
117	A5002340	Upper Cover Plate	1	
118	A5002350	Lower Cover Plate	1	
119	A5002360	Port Cover (In, Out)	2	
120	A5001550	Block W.A.	1	
121	A5001570	Buffer Block	1	
122	A5001580	Shim Plate	1	
123	A5001590	Side Buffer	1	
124	HB101520	Hex. Bolt	10	
125	SW100000	Spring Washer	10	
126	HB2430100	Hex. Bolt	4	
127	PW240000	Plain Washer	8	
128	SW240000	Spring Washer	4	
129	NN243000	Nylon Lock Nut	4	

No.	Part No.	Part Name	Q'ty	Note
130	HB3640160	Hex. Bolt	12	
131	PW360000	Plain Washer	24	
132	SW360000	Spring Washer	12	
133	NN364000	Nylon Lock Washer	12	

V50GS Hammer Assembly



V50GS Hammer Assembly Parts List

No.	Part No.	Part Name	Qty	Note
	A510631B	Hammer Total Ass'y	1	
	A5006420	Front Head Sub Ass'y	1	
101	A5006340	Front Head	1	
102	A5006030	Upper Bushing	1	
103	A5006400	Upper Bushing Pin	1	
104	A5006270	Tool Bushing (Open)	1	(Option)
105	A5006390	Tool Bushing (Closed)	1	(Option)
106	B1806580	Rubber Plug	1	
107	A5006040	Tool Pin	2	
108	A5006060	Stop Pin	1	
109	B3006580	Rubber Plug	3	
110	A5006050	Bushing Pin	2	
111	A5006570	Snap Ring	3	
112	B4006560	Grease Nipple	2	
113	B4006450	Socket Plug	2	
114	B1807310	O-Ring	1	
115	B4006530	Socket Plug	1	
116	B1806570	Snap Ring	1	
	AA510602B	Cylinder Sub Ass'y	1	
201	A5106750	Cylinder	1	
202	A5106250	Seal Housing	1	
203	A5007150	Step Seal	2	
204	A5007160	Gas Seal	2	
205	A5007090	O-Ring	2	
206	A5007060	Seal	1	
207	A5007050	Seal	1	
208	A5006320	Connection Bush	2	
209	A5007220	Quad-Ring	4	
210	A3006330	Adjust Bolt	1	

No.	Part No.	Part Name	Qty	Note
211	A3007180	Back-Up Ring	2	
212	B4006910	Socket Plug	4	
213	A3007170	O-Ring	2	
214	A3006320	Adjust Nut	2	
215	B4006450	Socket Plug	2	
216	A5006380	Helicoil	4	
217	A5006370	Helicoil	10	
218	B1807310	O-Ring	1	
219	A5007170	Step Seal	1	
220	A5006460	Socket Plug	1	
221	A3206550	O-Ring	1	
222	A5007190	Back-Up Ring	3	
223	A1106420	Adjust Bolt	1	
	A5006440	Back Head Sub Ass'y	1	
301	A5006580	Back Head	1	
302	SB142040	Socket Bolt	8	
303	A3006590	Gas Charging V/V Ass'y	1	
304	B4006910	Socket Plug	1	
305	A5007090	O-Ring	1	
306	A5106370	Flange	2	
307	B4007220	O-Ring	2	
308	B2507190	O-Ring	2	
309	A5107010	Back Up Ring	2	
310	A3206550	O-Ring	2	
311	A3206320	Adapter	2	
312	A5106140	Angle Flange	2	Option

No.	Part No.	Part Name	Qty	Note
	A5006170	Accumlator Sub Ass'y	1	
401	A5006200	Membrane	1	
402	A5006180	Accumulator Cover	1	
403	SB201560	Socket Bolt	12	
404	A2006510	Plug	1	
405	B1807310	O-Ring	2	
406	A3006350	Gas Charing Bolt	1	
407	A3007190	O-Ring	1	
408	A3006360	Gas Charging Cap	1	
409	A5007110	Backup Ring	1	
410	B4006370	Guide Pin	1	
411	A5007070	O-Ring	1	
412	A5006570	Accumulator Bottom	1	
413	SB303580	Socket Bolt	4	
414	A51506190	Inner V/V Ass'y	1	
	A5006210	Valve Block Sub Ass'y	1	
501	A5006220	Valve Block	1	
502	A5006260	V/V Block Lower Cover	1	
503	A5007210	Quag-Ring	2	
504	A5007130	Backup Ring	1	
505	A5006250	Oper. V/V Spool	1	
506	A5006240	Oper. V/V Spool Guide	1	
507	A5006230	V/V Block Upper Cover	1	
508	A5007140	Back – Up Ring	1	
509	A3006311	Adjust Bolt	1	
510	A3007160	Back – Up Ring	1	
511	B1807310	O-Ring	1	
512	A3006320	Adjust Bolt	1	
513	B4006450	Socket Plug	1	
514	B4006910	Socket Plug	1	
515	A2007110	O-Ring	1	

No.	Part No.	Part Name	Qty	Note
516	A5007100	Back – Up Ring	1	
517	B4007200	O-Ring	3	
518	B2507200	O-Ring	2	
519	SW240000	Spring Washer	8	
520	PW240000	Plain Washer	8	
521	SB243080	Socket Bolt	10	
522	HB242080	Hex. Bolt	8	
	A5006110K	Side Rod Sub Ass'y	4	
601	A5006110	Side Rod	4	
602	A5006120	Side Rod Lower Nut	4	
603	A5006130	Side Rod Upper Nut	4	
604	A5006140	Side Rod Washer	4	
701	B4006310	Guide Pin	4	
702	A5106430	Piston	1	
703	A5106320	Tool – Cone	1	Option
704	A5106340	Tool – Chisel	1	Option
705	A5106330	Tool – Moil	1	Option
706	A5106350	Tool – Blunt	1	Option

*Vulcan Attachments Inc. is not responsible for errors and omissions to the content of this manual. Specifications are subject to change without notice



VULCAN
ATTACHMENTS

769 PTH 75 Howden, MB R5A 1J3

Toll Free : 877-494-4303

Phone : 204-269-2680

info@vulcanattachments.com

www.VulcanAttachments.com

Version: 1116