



VULCAN
ATTACHMENTS

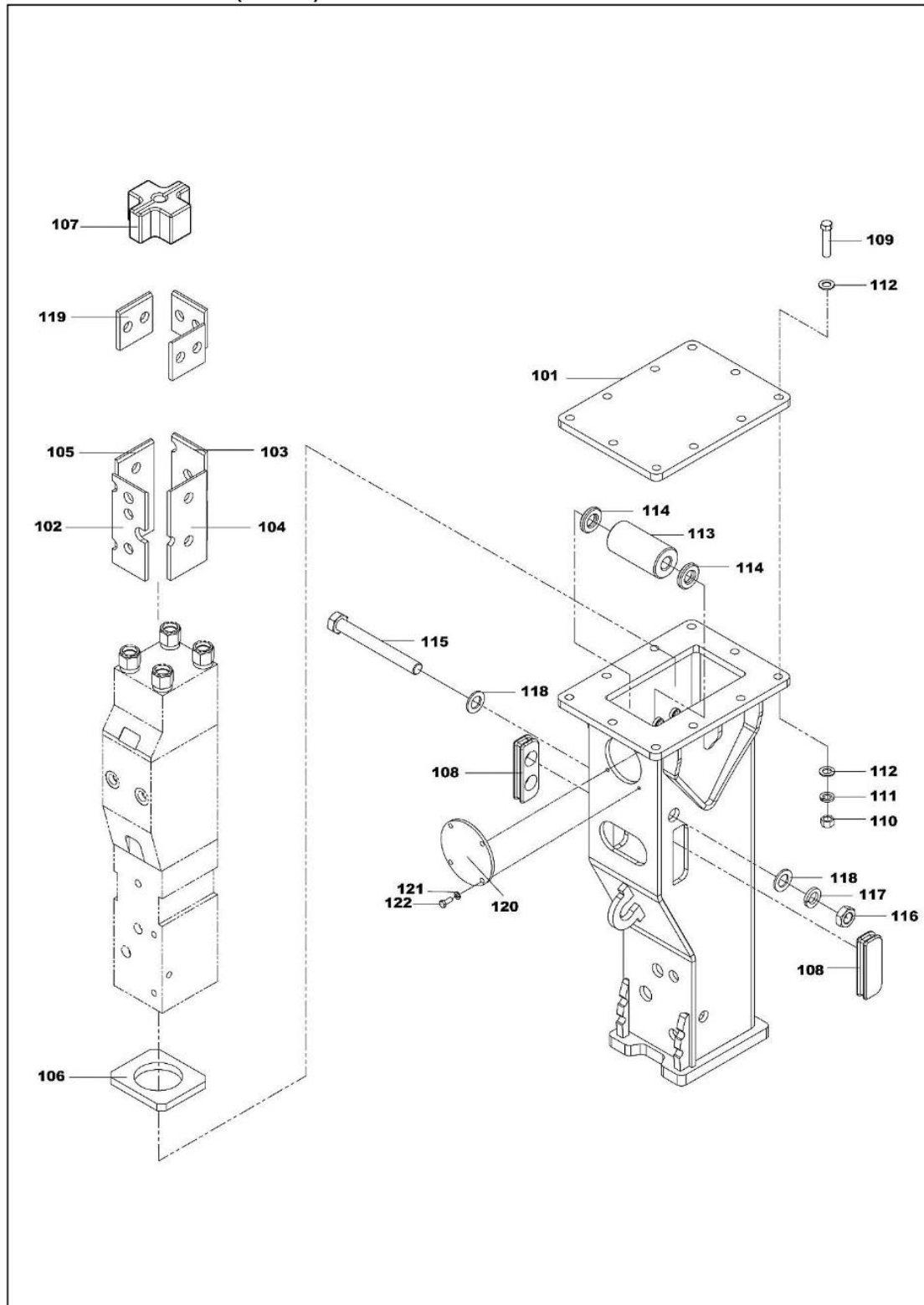
Hydraulic Breaker

Vulcan V8GS

PARTS MANUAL

Parts List

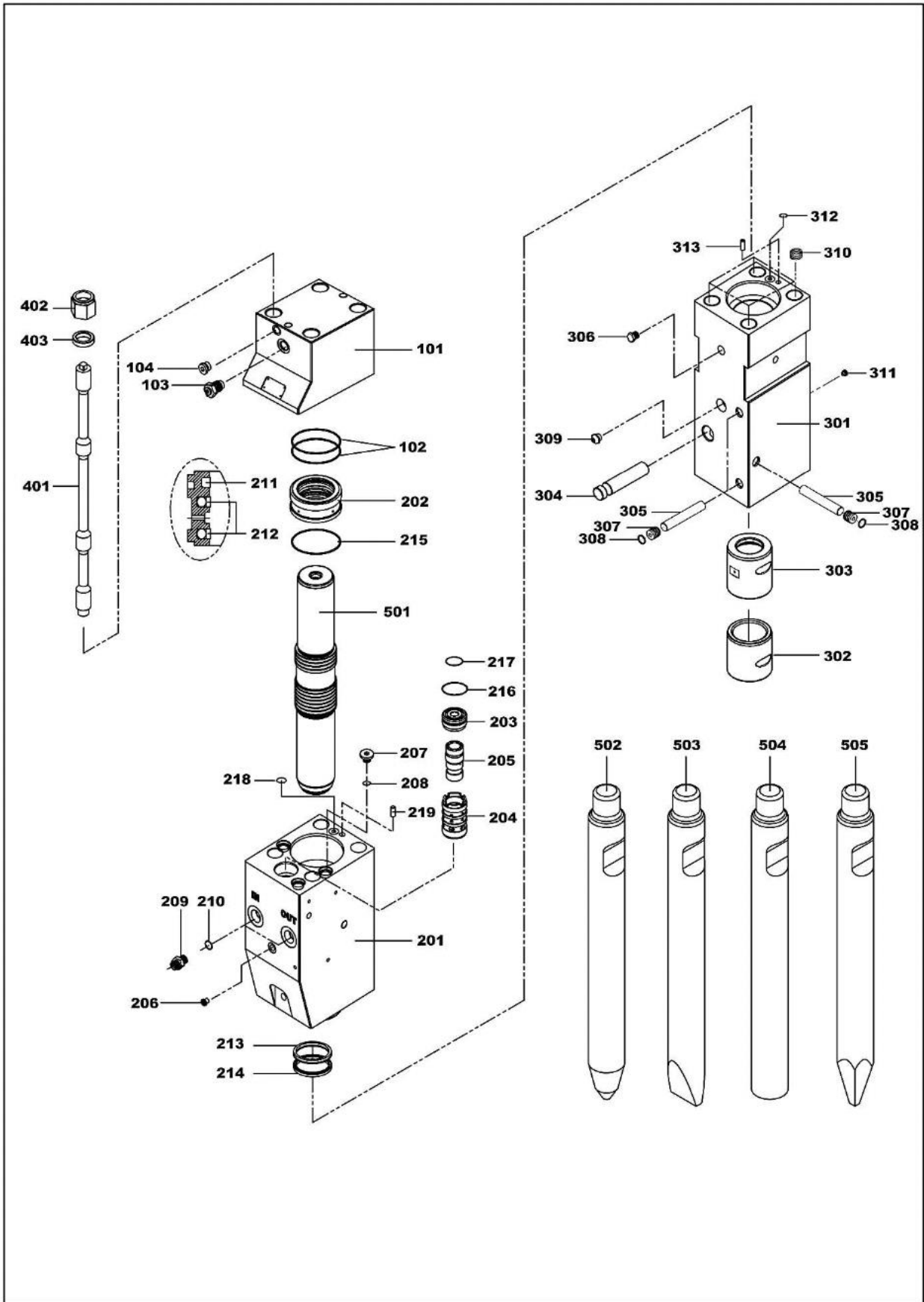
V8GS Housing



V8GS Housing Parts List

No.	Part No.	Part Name	Q'ty	Note
	A0810000	HOUSING ASS'Y	1	
101	A0802030	TOP PLATE	1	
102	A0802100	WEARING PLATE	1	
103	A0802110	WEARING PLATE	1	
104	A0602120	WEARING PLATE	1	
105	A0602130	WEARING PLATE	1	
106	A0802140	BASE BUFFER	1	
107	A1006250	TOP BUFFER	1	
108	A0602190	SIDE RUBBER	2	
109	HB1825090	HEX. BOLT	10	
110	NN182500	NYLON NUT	10	
111	SW180000	SPRING WASHER	10	
112	PW180000	PLAIN WASHER	20	
113	A0812080	SIDE BUFFER	1	
114	A0812090	SIDE WASHER	2	
115	HB3035260	HEX. BOLT	1	
116	NN303500	NYLON NUT	1	
117	SW300000	SPRING WASHER	1	
118	PW300000	PLAIN WASHER	2	
119	A0602200	WEARING PLATE	3	
120	A0802030	COVER PLATE	1	
121	SW100000	SPRING WASHER	4	
122	HB1015025	HEX. BOLT	4	

V8GS Hammer Assembly



V8GS Hammer Assembly Parts List

No.	Part No.	Part Name	Q'ty	Note
	A0806620	HAMMER TOTAL ASS'Y	1	
	A0806630	BACK HEAD SUB ASS'Y	1	
101	A0806640	BACK HEAD	1	
102	B2507120	O-RING	2	
103	A3006590	GAS CHARGING V/V ASS'Y	1	
104	B4006910	SOCKET PLUG	1	
	A0806650	CYLINDER SUB ASS'Y	1	
201	A0806660	CYLINDER	1	
202	A0806040	SEAL HOUSING	1	
203	A0806080	VALVE PLUG	1	
204	A0806090	OPER. VALVE GUIDE	1	
205	A0806100	OPER. VALVE SPOOL	1	
206	B4006450	SOCKET PLUG	1	
207	A0606180	SOCKET PLUG	3	
208	A2507380	O-RING	3	
209	B1306320	ADAPTER	2	
210	A2007110	O-RING	2	
211	A0807100	GAS SEAL	1	
212	A0807200	STEP SEAL	2	
213	A0807110	U-PACKUNG	1	
214	A0807120	WIPER	1	
215	B2507120	O-RING	1	
216	A0807500	O-RING	1	
217	A0807600	O-RING	1	
218	B4007310	O-RING	1	
219	B4006370	GUIDE PIN	1	
	A0806670	FRONT HEAD SUB ASS'Y	1	
301	A0806690	FRONT HEAD	1	
302	A0806600	TOOL BUSHING	1	

No.	Part No.	Part Name	Q'ty	Note
303	A0806700	THRUST RING	1	
304	A0806190	TOOL PIN	1	
305	A0806170	BUSHING PIN	3	
306	B4006530	SOCKET PLUG	1	
307	B1306460	RUBBER PLUG	3	
308	B1006440	SNAP RING	3	
309	B4006560	GREASE NIPPLE	1	
310	A0806580	HELI COIL	4	
311	B4006450	SOCKET PLUG	1	
312	B4007310	O-RING	1	
313	B4006370	GUIDE PIN	1	
	A0806110K	SIDE ROD SUB ASS'Y	4	
401	A0806110	SIDE ROD	4	
402	A0806120	SIDE ROD NUT	4	
403	A0806130	SIDE ROD WASHER	4	
501	A0806030	PISTON	1	
502	A0806200	TOOL – CONE	1	OPTION
503	A0806210	TOOL – CHISEL	1	OPTION
504	A0806220	TOOL-BLUNT	1	OPTION
505	A0806230	TOOL-MOIL	1	OPTION

*Vulcan Attachments Inc. is not responsible for errors and omissions to the content of this manual. Specifications are subject to change without notice.



VULCAN
ATTACHMENTS

769 PTH 75, Howden, MB, R3V 1X2
Phone: 204-269-1680 | Fax: 204-269-9017
info@vulcanattachments.com
www.VulcanAttachments.com