



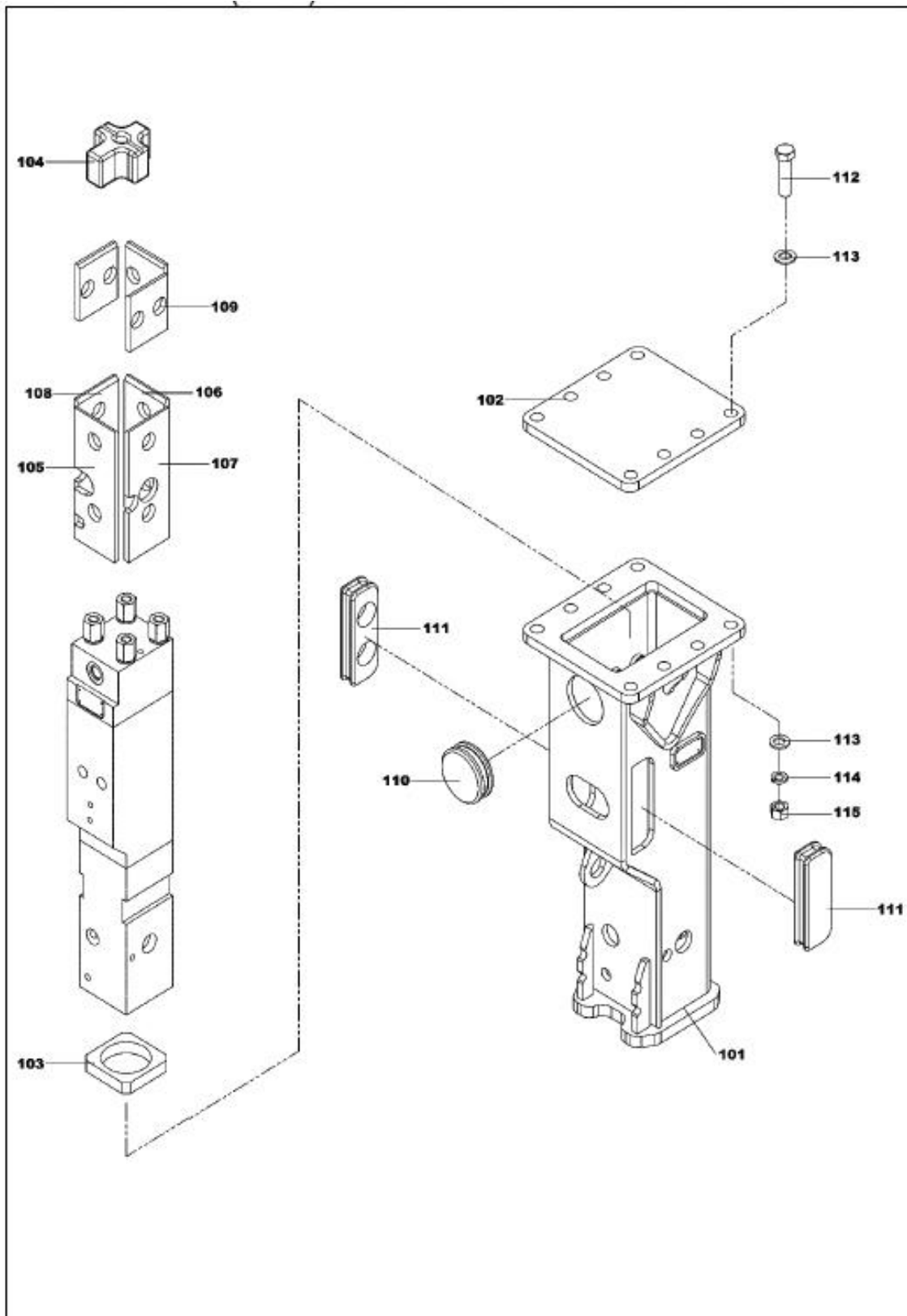
**VULCAN**  
ATTACHMENTS

Hydraulic Breaker

Vulcan V2GS

**PARTS MANUAL**

# V2GS Housing

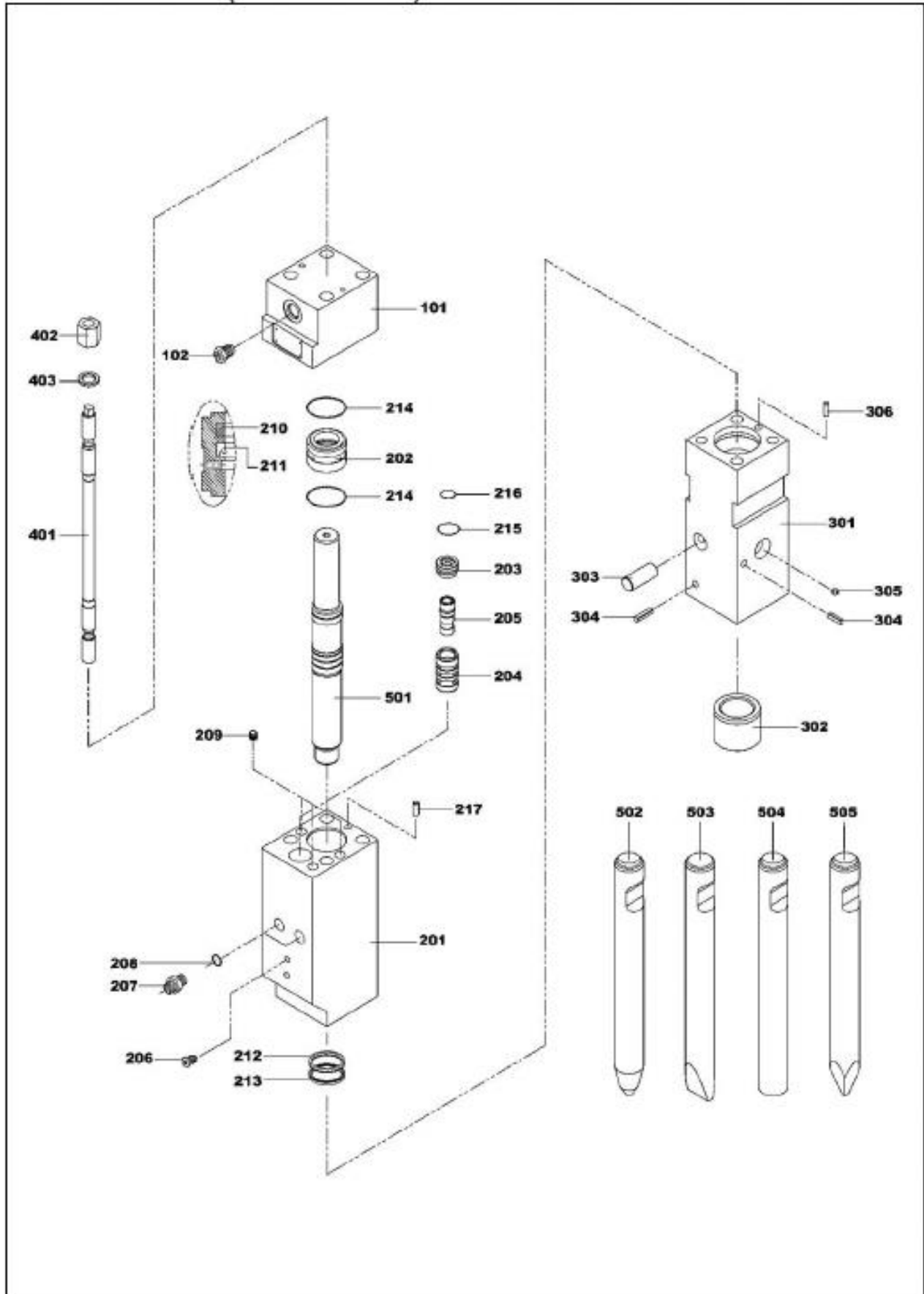


## V2GS Housing Parts List

---

No.	Part No.	Part Name	Q'ty	Note
	A0202000	<b>Housing Total Ass'y</b>	1	
101	A0202010	Housing W.A.	1	
102	A0202130	Top Plate	1	
103	A0202080	Base Buffer	1	
104	A0302160	Top Buffer	2	
105	A0202090	Wearing Plate	1	
106	A0202100	Wearing Plate	1	
107	A0202110	Wearing Plate	1	
108	A0202120	Wearing Plate	1	
109	A0302140	Wearing Plate	3	
110	A0602180	Front Rubber	1	
111	A0602190	Side Rubber	2	
112	HB1825065	Hex. Bolt	8	
113	PW180000	Plain Washer	16	
114	SW180000	Spring Washer	8	
115	NN182500	Nylon Nut	8	

# 7.1 V2GS Hammer Assembly



## V2GS Hammer Assembly Parts List

NO	PART NO.	PART NAME	Q'TY	NOTE
	A0206000	<b>HAMMER TOTAL ASS'Y</b>	1	
	A0206510	<b>BACK HEAD SUB ASS'Y</b>	1	
101	A0206010	BACK HEAD	1	
102	A3006590	GAS CHARGING V/V ASS'Y	1	
	A0206520	<b>CYLINDER SUB ASS'Y</b>	1	
201	A0206020	CYLINDER	1	
202	A0206040	SEAL HOUSING	1	
203	A0206090	VALVE PLUG	1	
204	A0206070	OPER. VALVE GUIDE	1	
205	A0206080	OPER. VALVE SPOOL	1	
206	B4006450	SOCKET PLUG	1	
207	A0206180	ADAPTER	2	
208	A0207070	O-RING	2	
209	A0406200	PLUG	3	
210	A0207080	GAS SEAL	1	
211	A0207020	U-PACKUNG	1	
212	A0207030	U-PACKUNG	1	
213	A0207040	WIPER	1	
214	B2507200	O-RING	2	
215	A0207050	O-RING	1	
216	B4007310	O-RING	1	
217	B4006370	GUIDE PIN	1	
	A0206530	<b>FRONT HEAD SUB ASS'Y</b>	1	
301	A0206050	FRONT HEAD	1	
302	A0206060	TOOL BUSHING	1	
303	A0206130	TOOL PIN	1	
304	SP100080	SPRING PIN	2	



\*Vulcan Attachments Inc. is not responsible for errors and omissions to the content of this manual. Specifications are subject to change without notice.



**VULCAN**  
ATTACHMENTS

769 PTH 75, Howden, MB, R3V 1X2  
Phone: 204-269-1680 | Fax: 204-269-9017  
[info@vulcanattachments.com](mailto:info@vulcanattachments.com)  
[www.VulcanAttachments.com](http://www.VulcanAttachments.com)